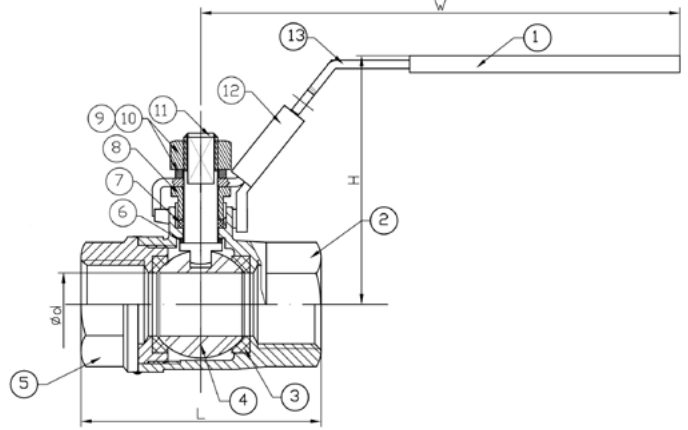


2-Pce Screwed Full Bore Ball Valve lever operated



ASTM A351 CF8M 316 Stainless Steel Body & End, 316 Trim, PTFE Ball Seats and Seals. Full Bore. Locking Lever. 1000 PSI rated. BSPP Ends to ISO 7/1 Rp. NPT ends to ASME B1.20.1 -25/+180°C Temp rated.

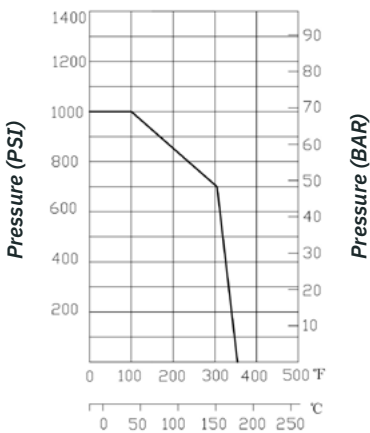
Design Standard - ASME B16.34
Wall Thickness - ASME B16.34
Inspection and Testing - API 598

Item	Part	Material	Qty.
1	Handle Cover	PLASTIC	1
2	Body	CF8M	1
3	Ball Seat	PTFE	2
4	Ball	CF8M	1
5	Cap	CF8M	1
6	Thrust Washer	PTFE	1
7	Stem Packing	PTFE	1
8	Gland Nut	304	1
9	Spring Washer	304	1
10	Stem Nut	304	1
11	Stem	316	1
12	Locking Device	304	1
13	Handle	304	1

Size	1/4"	3/8"	1/2"	3/4"	1"
Length (mm)	54	54	57	68	80
Weight (kg)	0.21	0.21	0.27	0.37	0.63

	1-1/4"	1-1/2"	2"	2-1/2"	3"	4"
	91	103	124	160	185	224.5
	0.98	1.38	2.38	5.25	8.0	19.0

Pressure-Temp. Rating



Temperature