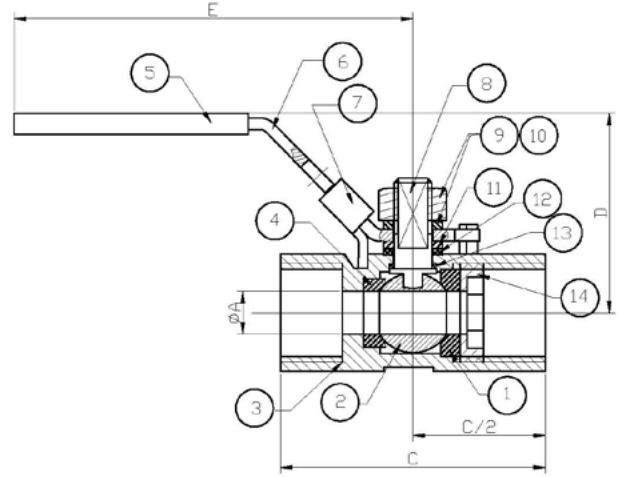


1-Pce Reduced Bore Ball Valve lever operated



ASTM A351 CF8M 316 Stainless Steel Body, 316 Trim, PTFE Ball Seats and Seals. Locking Lever. Reduced Bore. 1000 PSI rated. BSPP Ends to ISO 7/1 Rp. NPT Ends to ASME B1.20.1. -25/+180°C Temp rated.

Design Standard - ASME B16.34
Wall Thickness - ASME B16.34
Inspection and Testing - API 598

Item	Part	Material	Qty.
1	Joint Gasket	PTFE	1
2	Ball	CF8M	1
3	Body	CF8M	1
4	Seat	PTFE	1
5	Handle Cover	PLASTIC	1
6	Handle	304	1
7	Locking Device	304	1
8	Stem	316	1
9	Stem Nut	304	1
10	Stem Washer	304	1
11	Gland Nut	304	1
12	Stem Packing	PTFE	1
13	Thrust Washer	PTFE	1
14	Body Insert	CF8M	1

Size	1/4"	3/8"	1/2"	3/4"	1"	1-1/4"	1-1/2"	2"
Length (mm)	39	44	56.5	59	71	78	83	100
Weight (kg)	0.09	0.12	0.19	0.29	0.40	0.62	0.94	1.30

Size	1/4"	3/8"	1/2"	3/4"	1"	1-1/4"	1-1/2"	2"
Length (mm)	39	44	56.5	59	71	78	83	100
Weight (kg)	0.09	0.12	0.19	0.29	0.40	0.62	0.94	1.30

